

Title FunnyRobot V1.0 I/O Connector		
Size A4	Number	Revision
Date: 2009/10/19	Sheet of 1	
File: J:\My.PCBs\...\FunnyRobot.IO.Connectors.V1.0.BOC Andygongyb		

A

B

C

D

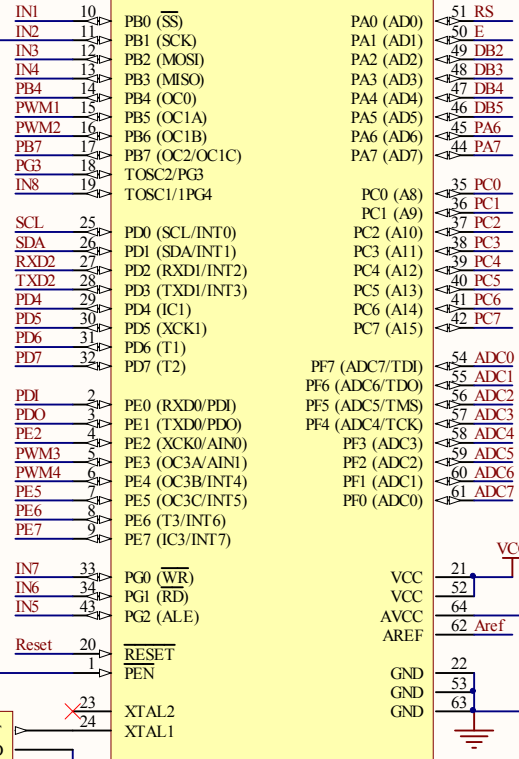
A

B

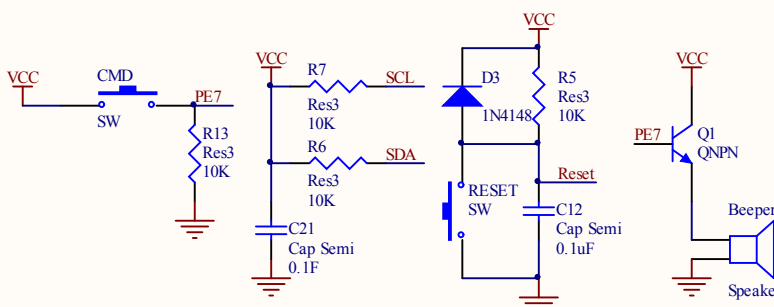
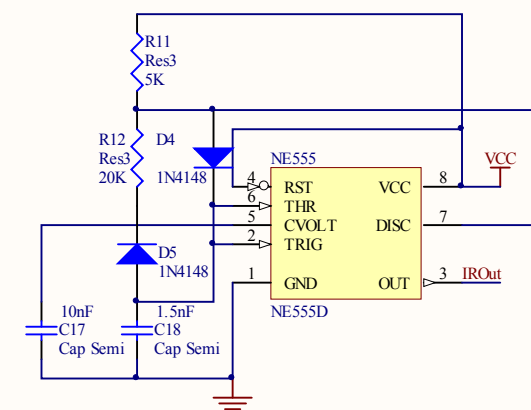
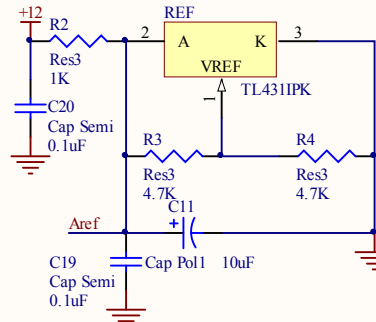
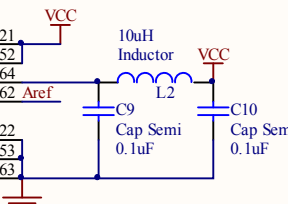
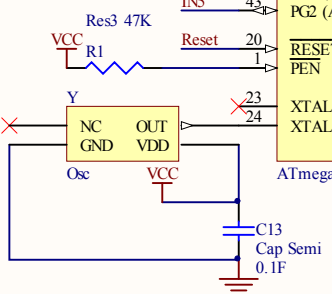
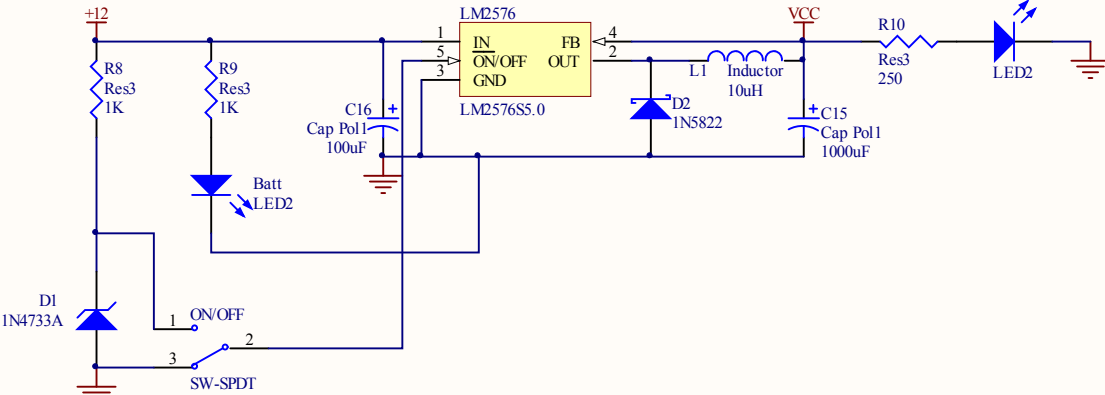
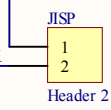
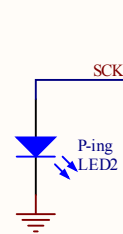
C

D

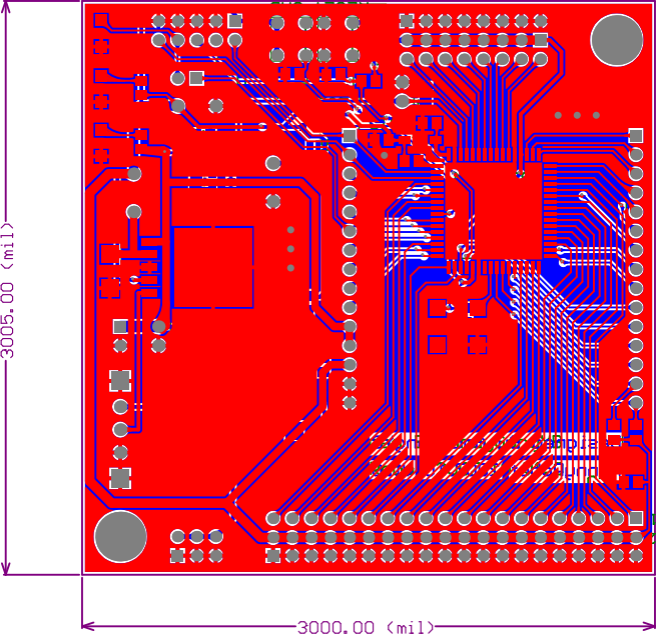
Mega128



ATmega128-16AC



Title FunnyRobot V1.0 Main Sheet		
Size A4	Number	Revision
Date: 2009/10/19	Sheet of	
File: F:\My.PCBs\...\FunnyRobot.Main.Controller.Dwg		



Bill of Materials

<Parameter Title not found>

Source Data From: FunnyRobot.Main.Controller.V1.PrjPCB
 Project: FunnyRobot.Main.Controller.V1.PrjPCB
 Variant: None

Creation Date: 2009/10/19 17:48:14
 Print Date: 40105 40105.74192

Footprint	Comment	LibRef	Designator	Description	Quantity
HDR1X2	Header 2	Header 2	+12V, JISP	Header, 2-Pin	2
HDR2X8_CEN	Header 8X2A	Header 8X2A	ADC	Header, 8-Pin, Dual row	1
HDR1X8	Header 8	Header 8	AG	Header, 8-Pin	1
DSO-F2/D6.1	LED2	LED2	Batt, ON, P-ing	Typical RED, GREEN, YELLOW, AMBER GaAs LED	3
CAPR5.08-7.8x3.2	Speaker	Speaker	Beeper	Loudspeaker	1
HDR1X15	Header 15	Header 15	BUSA, BUSB	Header, 15-Pin	2
CC2012-0805	Cap Semi	Cap Semi	C9, C10, C12, C13, C17, C18, C19, C20, C21	Capacitor (Semiconductor SIM Model)	9
CAPR2.54-5.1x3.2	Cap Pol1	Cap Pol1	C11, C16	Polarized Capacitor (Radial)	2
CAPR5.08-7.8x3.2	Cap Pol1	Cap Pol1	C15	Polarized Capacitor (Radial)	1
AN2	SW	SW-PB	CMD, RESET	Switch	2
DSO-C2/X2.3	1N4733A	1N4733A	D1	One Watt Zener	1
DSO-C2/X2.3	1N5822	D Schottky	D2	Schottky Diode	1
DSO-C2/X2.3	1N4148	Diode	D3, D4, D5	Default Diode	3
HDR1X20	Header 20	Header 20	G	Header, 20-Pin	1
HDR2X3_CEN	Header 3X2A	Header 3X2A	IR	Header, 3-Pin, Dual row	1
HDR2X5	Header 5X2	Header 5X2	ISP	Header, 5-Pin, Dual row	1
CAPR5.08-7.8x3.2	Inductor	Inductor	L1	Inductor	1
INDC4510-1804	Inductor	Inductor	L2	Inductor	1
TS5B	LM2576S5.0	LM2576S5.0	LM2576	Simple Switcher 3A Step Down Voltage Regulator	1
64A	ATmega128-16AC	ATmega128-16AC	Mega128	8-Bit AVR Microcontroller with 128K Bytes of In-System Programmable Flash Memory	1
SO8	NE555D	NE555D	NE555	General-Purpose Single Bipolar Timer	1
ON/OFF	SW-SPDT	SW-SPDT	ON/OFF	SPDT Subminiature Toggle Switch, Right Angle Mounting, Vertical Actuation	1
HDR2X20	Header 20X2	Header 20X2	PORT	Header, 20-Pin, Dual row	1
SO-G3/C2.5	QNP	QNP	Q1	NPN Bipolar Transistor	1
R2012-0805	Res3	Res3	R1, R2, R3, R4, R5, R6, R7, R8, R9, R10, R11, R12, R13	Resistor	13
SO-G3/C2.5	TL431IPK	TL431IPK	REF	Adjustable Precision Shunt Regulator	1
Osc	Osc	Osc	Y	Osc	1
					55

Approved	Notes

