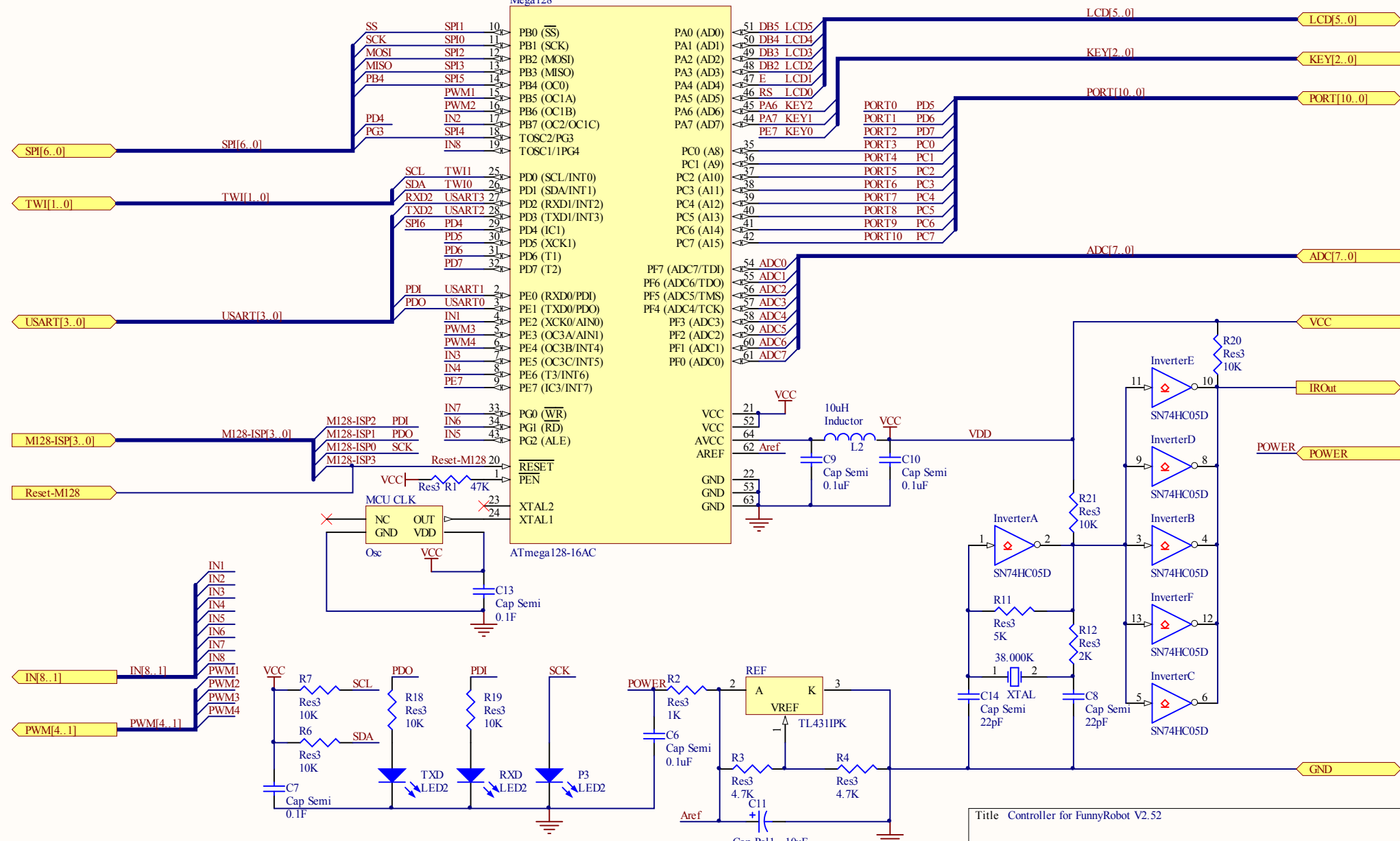
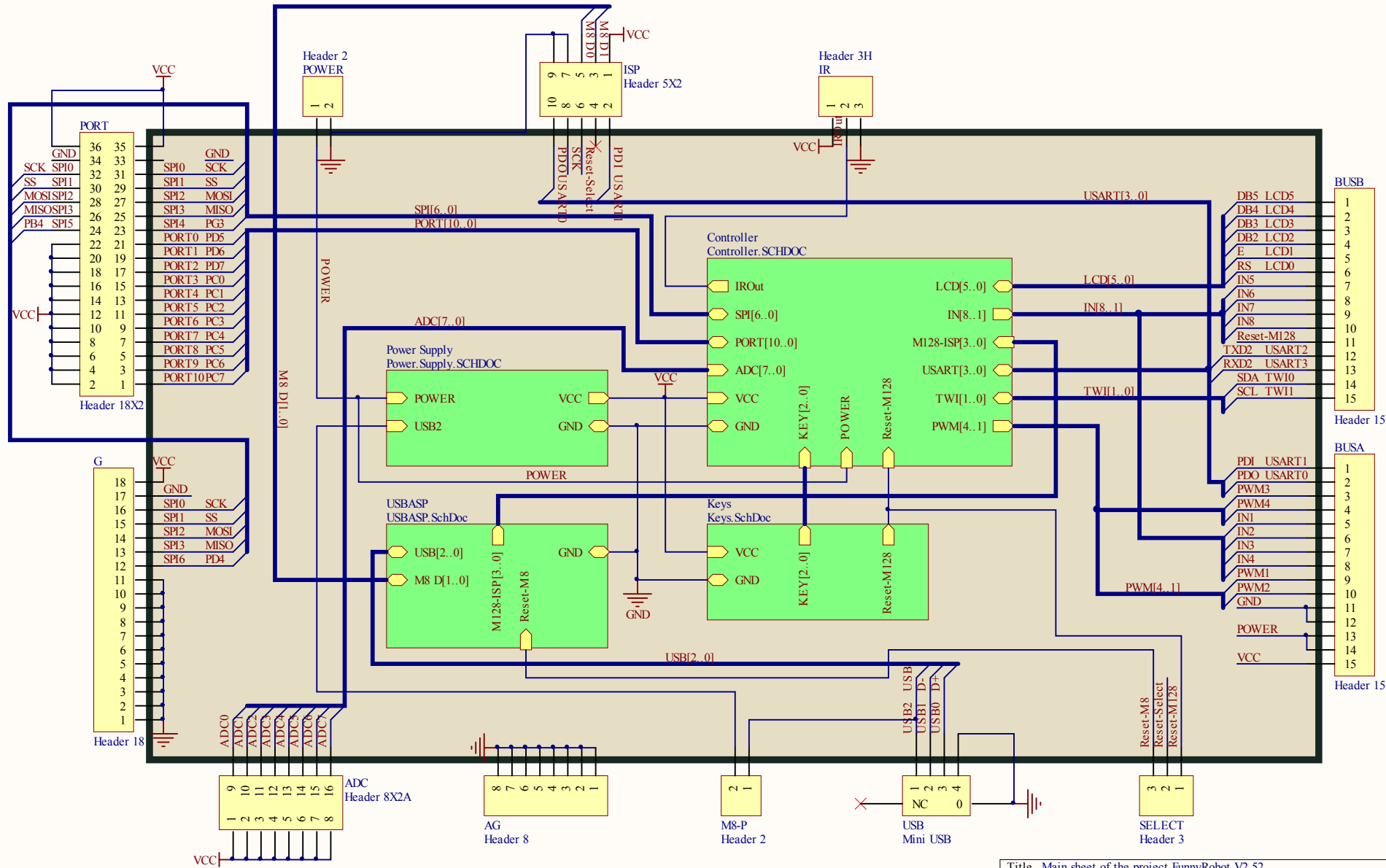


Mega128

ATmega128-16AC

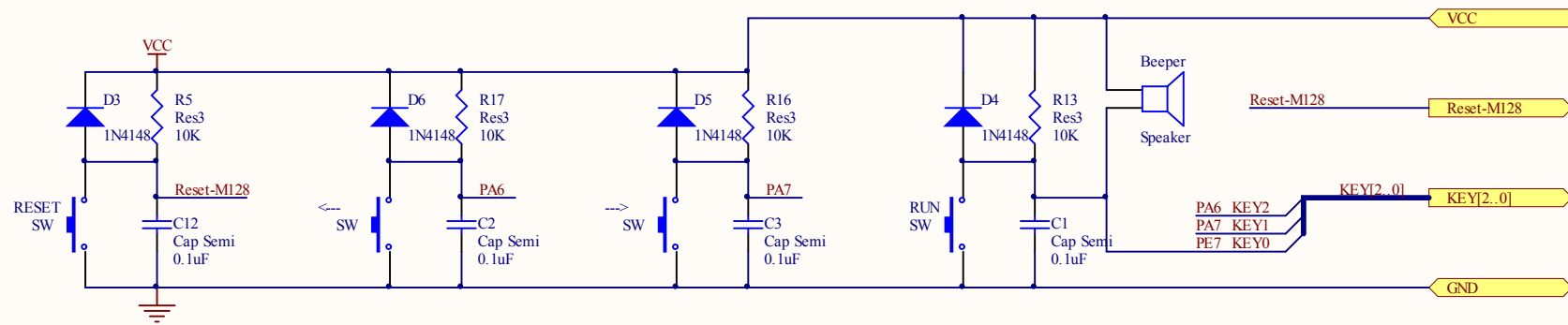


Title Controller for FunnyRobot V2.52		
Size	Number	Revision
A4		
Date:	2009/10/19	Sheet of
File:	F:\My.PCBs\...\Controller.SCHDOC	Drawn By: Andygongyb

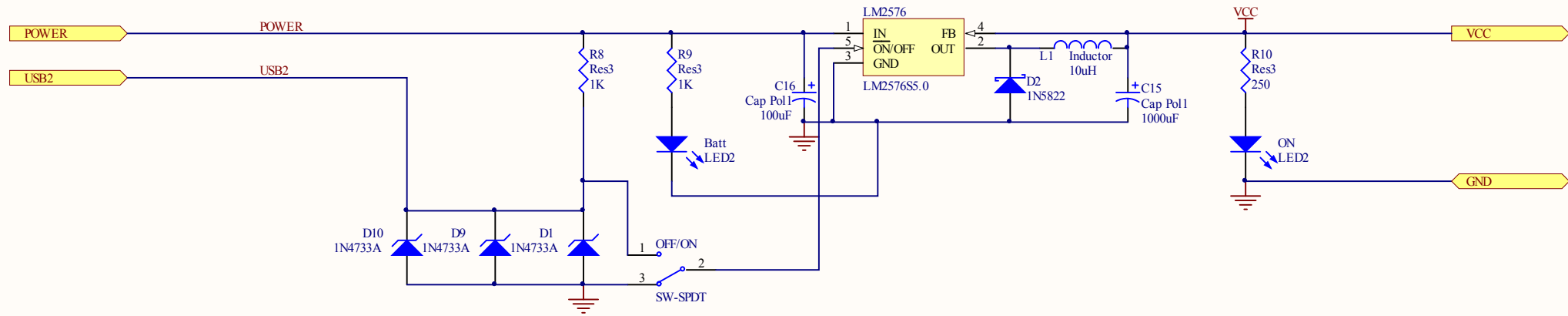


Title Main sheet of the project FunnyRobot V2.52

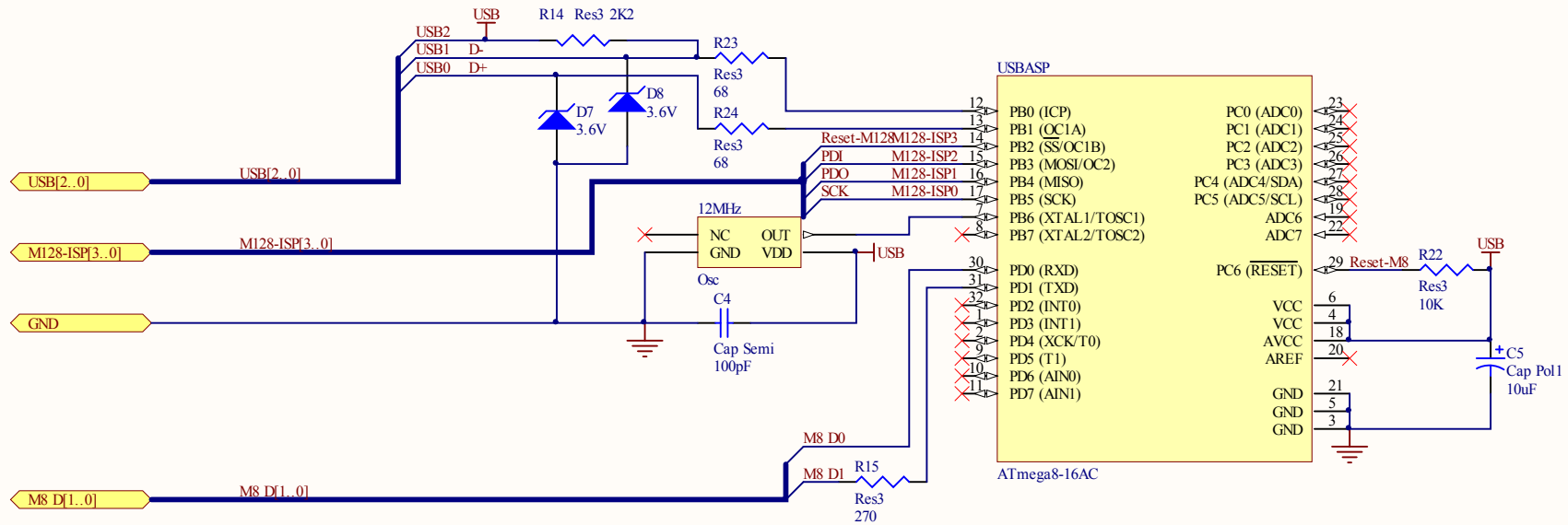
Size	Number	Revision
A4		
Date:	2009/10/19	Sheet of
File:	F:\My.PCBs\...\FunnyRobot.Main.Controller.V2.52.PCH.Dwg	



Title Keyboard for FunnyRobot V2.52		
Size	Number	Revision
A4		
Date:	2009/10/19	Sheet of
File:	J:\My.PCBs\FunnyRobotV2.5\Keys.SchDoc	Drawn By: Andygongyb

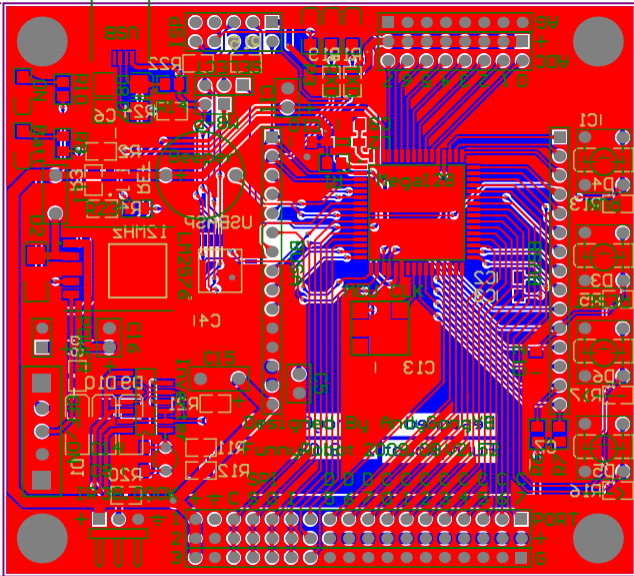


Title Power supply for FunnyRobot V2.52		
Size	Number	Revision
A4		
Date:	2009/10/19	Sheet of
File:	J:\My.PCBs\...\Power.Supply.SCHDOC	Drawn By: Andygongyb



Title USB programmer for FunnyRobot V2.52		
Size	Number	Revision
A4		
Date:	2009/10/19	Sheet of
File:	J:\My.PCBs\FunnyRobotV2.5\USBASP.SchDoc	Drawn By: Andygongyb

3000.00 (mil)



Designed By Andy Jones
FunnyRobot 2008-08-02-15Z

3300.00 (mil)

Bill of Materials

<Parameter Title not found>

Source Data From: FunnyRobot.Main.Controller.V2.PRJPCB
 Project: FunnyRobot.Main.Controller.V2.PRJPCB
 Variant: None

Creation Date: 2009/10/19 17:27:14
 Print Date: 40105 40105.72737

Footprint	Comment	LibRef	Designator	Description	Quantity
32A	ATmega8-16AC	ATmega8-16AC	USBASP	8-Bit AVR Microcontroller with 8K Bytes of In-System Programmable Flash Memory	1
mini_USB	Mini USB	Mini_USB	USB		1
HDR1X3	Header 3	Header 3	SELECT	Header, 3-Pin	1
SO-G3/C2.5	TL431IPK	TL431IPK	REF	Adjustable Precision Shunt Regulator	1
R2012-0805	Res3	Res3	R1, R2, R3, R4, R5, R6, R7, R8, R9, R10, R11, R12, R13, R14, R15, R16, R17, R18, R19, R20, R21, R22, R23, R24	Resistor	24
HDR2X18	Header 18X2	Header 18X2	PORT	Header, 18-Pin, Dual row	1
ON/OFF	SW-SPDT	SW-SPDT	OFF/ON	SPDT Subminiature Toggle Switch, Right Angle Mounting, Vertical Actuation	1
64A	ATmega128-16AC	ATmega128-16AC	Mega128	8-Bit AVR Microcontroller with 128K Bytes of In-System Programmable Flash Memory	1
HDR1X2	Header 2	Header 2	M8-P, POWER	Header, 2-Pin	2
TS5B	LM2576S5.0	LM2576S5.0	LM2576	Simple Switcher 3A Step Down Voltage Regulator	1
INDC4510-1804	Inductor	Inductor	L2	Inductor	1
CAPR5.08-7.8x3.2	Inductor	Inductor	L1	Inductor	1
HDR2X5	Header 5X2	Header 5X2	ISP	Header, 5-Pin, Dual row	1
HDR1X3H	Header 3H	Header 3H	IR	Header, 3-Pin, Right Angle	1
D014	SN74HC05D	SN74HC05D	Inverter	Hex Inverter with Open-Drain Outputs	1
HDR1X18	Header 18	Header 18	G	Header, 18-Pin	1
DSO-C2/X2.3	3.6V	D Zener	D7, D8	Zener Diode	2
DSO-C2/X2.3	1N4148	Diode	D3, D4, D5, D6	Default Diode	4
DSO-C2/X2.3	1N5822	D Schottky	D2	Schottky Diode	1
DSO-C2/X2.3	1N4733A	1N4733A	D1, D9, D10	One Watt Zener	3
CAPR5.08-7.8x3.2	Cap Pol1	Cap Pol1	C15	Polarized Capacitor (Radial)	1
C0805	Cap Semi	Cap Semi	C6, C7	Capacitor (Semiconductor SIM Model)	2
CAPR2.54-5.1x3.2	Cap Pol1	Cap Pol1	C5, C11, C16	Polarized Capacitor (Radial)	3
CC2012-0805	Cap Semi	Cap Semi	C1, C2, C3, C4, C8, C9, C10, C12, C13, C14	Capacitor (Semiconductor SIM Model)	10
HDR1X15	Header 15	Header 15	BUSA, BUSB	Header, 15-Pin	2
BEEPER	Speaker	Speaker	Beeper	Loudspeaker	1
DSO-F2/D6.1	LED2	LED2	Batt, ON, P3, RXD, TXD	Typical RED, GREEN, YELLOW, AMBER GaAs LED	5
HDR1X8	Header 8	Header 8	AG	Header, 8-Pin	1
HDR2X8_CE	Header 8X2A	Header 8X2A	ADC	Header, 8-Pin, Dual row	1
BCY-W2/D3.1	XTAL	XTAL	38.000K	Crystal Oscillator	1
Osc	Osc	Osc	12MHz, MCU CLK	Osc	2
AN1	SW	SW-PB	--->, <---, RESET, RUN	Switch	4
					83

Approved	Notes