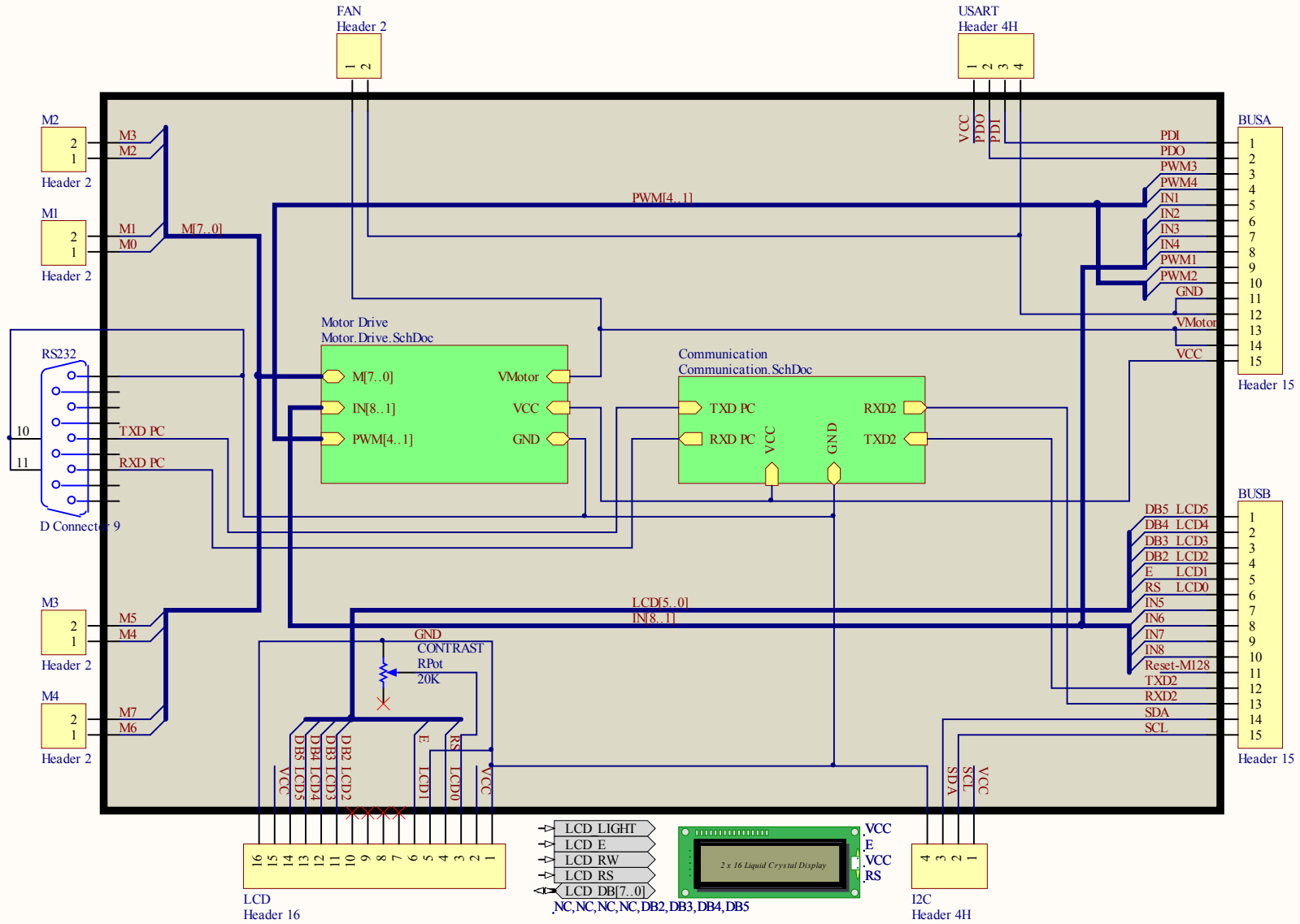
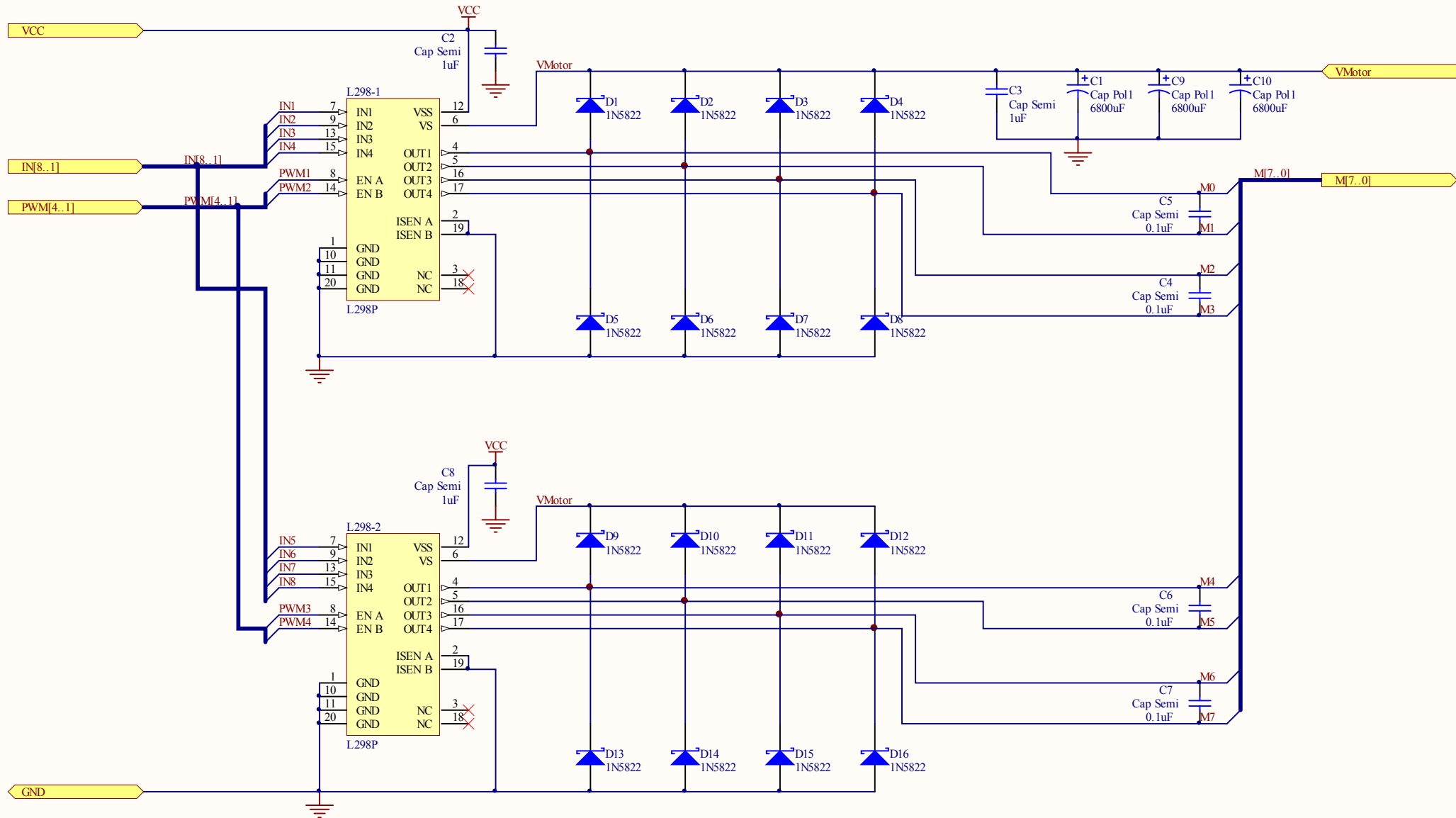


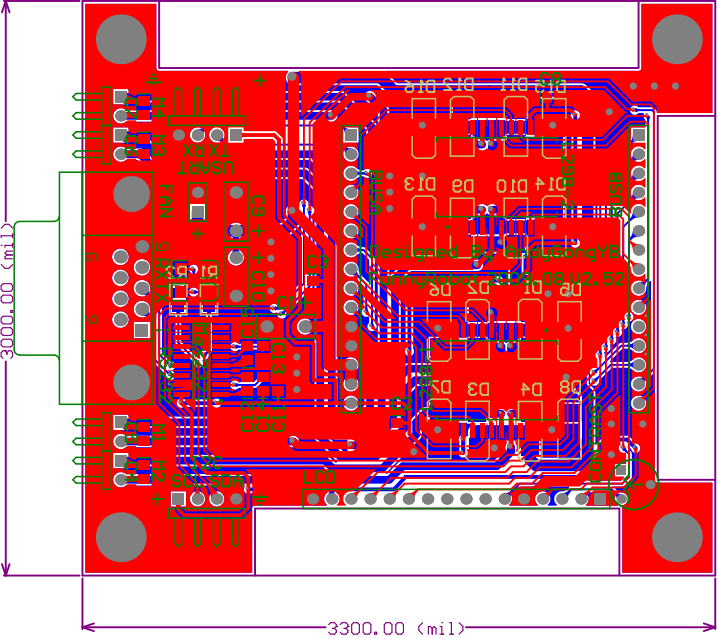
Title RS-232 to TTL convertor		
Size A4	Number	Revision
Date: 2009/10/19	Sheet of	
File: J:\My.PCBs\...\Communication.SchDoc	Drawn By: Andygongyb	



Title Main sheet of the motor drive extra board		
Size A4	Number	Revision
Date: 2009/10/19	Sheet of	
File: F:\My.PCBs\...Motor.Drive.Extended Board\...Motor.Drive.Extended Board.SCHDOC		



Title Four channels H-bridge motor drive Board		
Size A4	Number	Revision
Date: 2009/10/19	Sheet of	
File: F:\My.PCBs\...\Motor.Drive.SchDoc	Drawn By: Andygongyb	



# Bill of Materials

<Parameter Title not found>

Source Data From: Motor.Drive.Extended.Board.for.FunnyRobot.V2.PRJPCB

Project: Motor.Drive.Extended.Board.for.FunnyRobot.V2.PRJPCB

Variant: None

Creation Date: 2009/10/19 17:21:33

Print Date: 40105 40105.72342

Footprint	Comment	LibRef	Designator	Description	Quantity
DSO-C2/X2.3	1N5822	D Schottky	D1, D2, D3, D4, D5, D6, D7, D8, D9, D10, D11, D12, D13, D14, D15, D16	Schottky Diode	16
CAPR5.08-7.8x3.2	Cap Pol1	Cap Pol1	C1, C9, C10	Polarized Capacitor (Radial)	3
C0805	Cap Pol3	Cap Pol3	C11, C12, C13, C14, C15	Polarized Capacitor (Surface Mount)	5
CC2012-0805	Cap Semi	Cap Semi	C2, C3, C4, C5, C6, C7, C8	Capacitor (Semiconductor SIM Model)	7
DSUB1.385-2H9	D Connector 9	D Connector 9	RS232	Receptacle Assembly, 9 Position, Right Angle	1
HDR1X2	Header 2	Header 2	FAN	Header, 2-Pin	1
HDR1X2H	Header 2	Header 2	M1, M2, M3, M4	Header, 2-Pin	4
HDR1X4H	Header 4H	Header 4H	I2C, USART	Header, 4-Pin, Right Angle	2
HDR1X15	Header 15	Header 15	BUSA, BUSB	Header, 15-Pin	2
HDR1X16	Header 16	Header 16	LCD	Header, 16-Pin	1
POWERSO20	L298P	L298P	L298-1, L298-2	Dual Full Bridge Driver	2
DSO-F2/D6.1	LED2	LED2	RX, TX	Typical RED, GREEN, YELLOW, AMBER GaAs LED	2
NSO16	MAX232CSE	MAX232CSE	Max232	+5V Powered, Multi-Channel RS-232 Driver/Receiver	1
R2012-0805	Res3	Res3	R1, R2	Resistor	2
Potentiometer 1	RPot	RPot	CONTRAST	Potentiometer	1
					50

Approved

Notes

--	--	--

